

# FocusLCDs.com

**RELIABILITY AND SUPPORT FOR LESS**

TFT | CHARACTER | VATN | FSC | SEGMENT  
CUSTOM | REPLACEMENT

## *LCD's Made Simple*

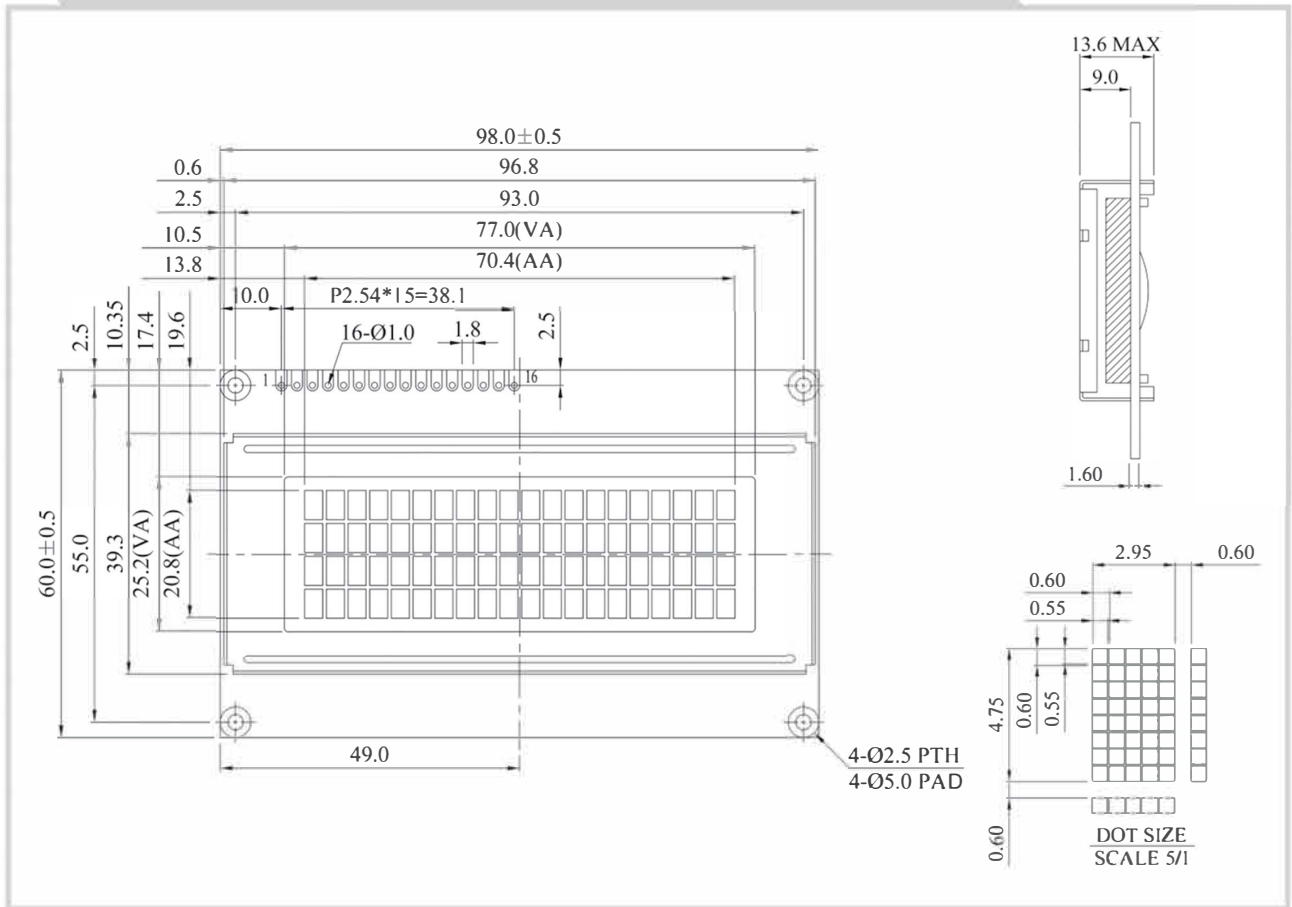
Phone-480-503-4295 | Email-NOPP@FocusLCD.com

### **20 x 4 VATN Display Module**

#### **Overview**

20 x 4 line VATN, 5x8 dots includes  
cursor, Controller (ST7066 or Equivalent),  
+5V power supply only, 1/16 duty cycle,  
Interface : Option 6800, SPI, I2C

## VATN Character 20x4



### Feature

1. 5x8 dots includes cursor
2. Built-in controller (ST7066 or Equivalent)
3. 5V power supply only
4. 1/16 duty cycle
5. LED type : Green / Blue / Red / White / Y- G
6. LED can be driven by PIN1, PIN2 or K
7. Interface : Option 6800, SPI, I2C

Pin No.	Symbol	Description
1	V <sub>SS</sub>	Ground
2	V <sub>DD</sub>	Supply Voltage for logic
3	VO	Operating voltage for LCD
4	RS	H: DATA, L: Instruction code
5	R/W	Read/Write select signal
6	E	Chip enable signal
7	DB0	Data bus line
8	DB1	Data bus line
9	DB2	Data bus line
10	DB3	Data bus line
11	DB4	Data bus line
12	DB5	Data bus line
13	DB6	Data bus line
14	DB7	Data bus line
15	Vee	Negative Voltage Output
16	K	Power supply for B/L -

### Mechanical Data

Item	Standard Value	Unit
Module Dimension	98.0 x 60.0	mm
Viewing Area	77.0 x 25.2	mm
Mounting Hole	93.0 x 55.0	mm
Character Size	2.95 x 4.75	mm

### Electrical Characteristics

Item	Symbol	Standard Value	Unit
		typ.	
Input Voltage	VDD	5.0	V
Recommended LCD Driving Voltage for Normal Temp. Version module @25°C	VDD-VO	6.5	V

### Display Character Address Code

Display position	1	2	3	4	5	6	7	8	9	10	11	12	13	...	20
DD RAM Address	00	01	02												13
DD RAM Address	40	41	42												53
DD RAM Address	14	15	16												27
DD RAM Address	54	55	56												67