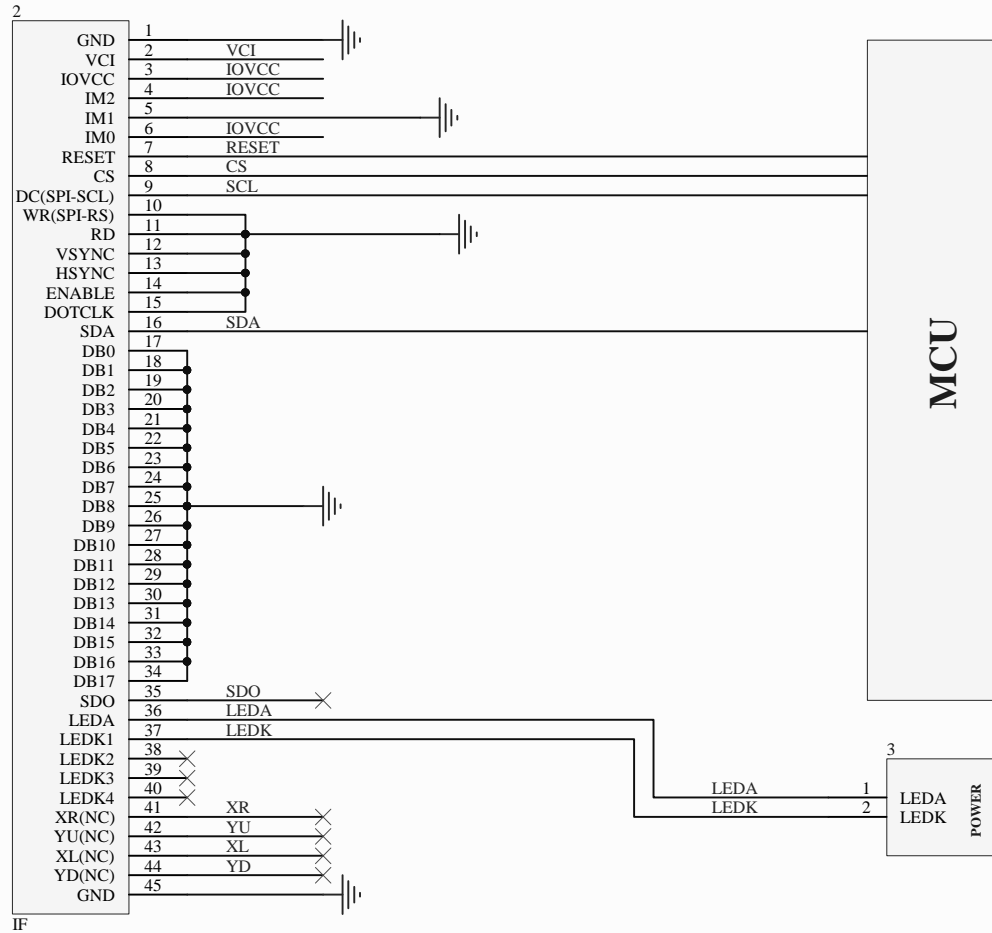


E22RB-FW1180-N 3-line Serial Interface



Note: 1.VCC=3.3V, IOVCC=1.8-3.3V,LEDA=19.5V,I=20mA

PROPRIETARY AND CONFIDENTIAL
 THE INFORMATION CONTAINED IN THIS DRAWING IS THE SOLE PROPERTY OF FOCUS DISPLAY SOLUTIONS, INC. ANY REPRODUCTION IN PART OR AS A WHOLE WITHOUT THE WRITTEN PERMISSIONS OF FOCUS DISPLAY SOLUTIONS, INC. IS PROHIBITED

Model Name: E22RB-FW1180-N
 General Tol: ± 0.2
 Approvals: _____ Date: _____
 DWN: _____
 CHK: _____
 APP: _____



Drawing No.: _____ Scale: _____
 Size: _____ Unit: mm Page: 1/1