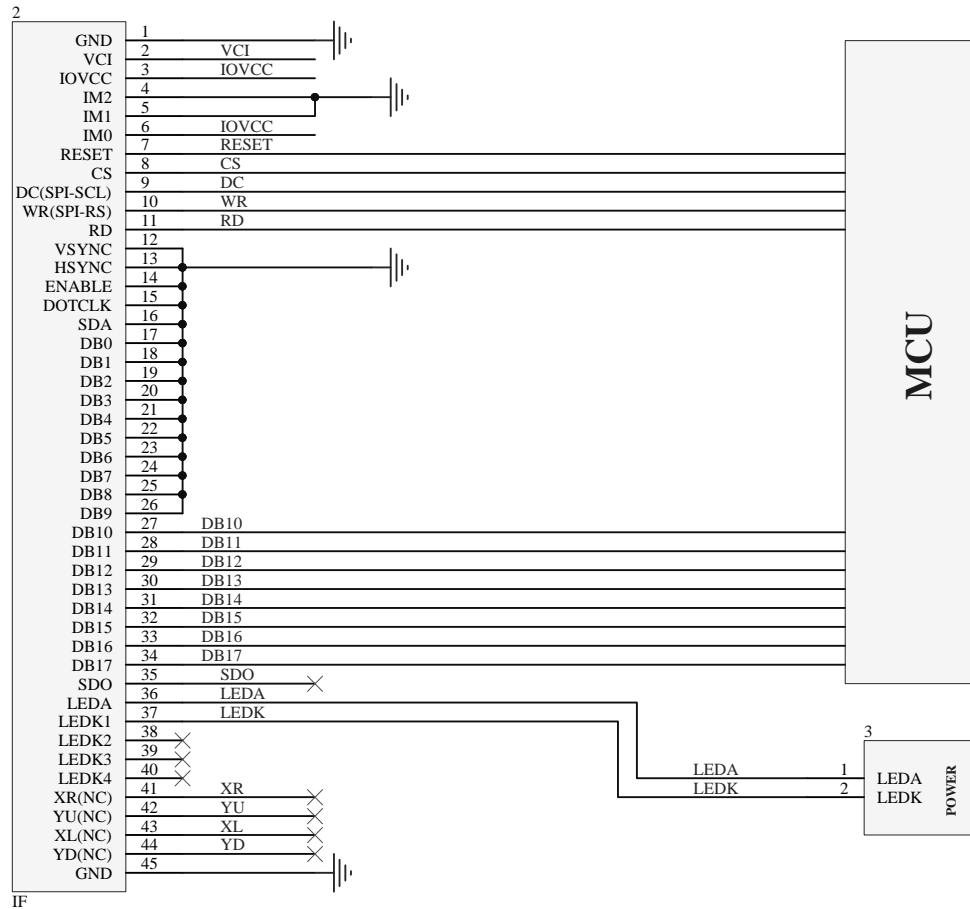


# E22RB-FW1180-N 8-Bit MCU Interface



**Note: 1.VCC=3.3V, IOVCC=1.8-3.3V,LEDA=19.5V,I=20mA**

**PROPRIETARY AND CONFIDENTIAL**  
 THE INFORMATION CONTAINED IN THIS DRAWING IS THE SOLE PROPERTY OF FOCUS DISPLAY SOLUTIONS, INC. ANY REPRODUCTION IN PART OR AS A WHOLE WITHOUT THE WRITTEN PERMISSIONS OF FOCUS DISPLAY SOLUTIONS, INC. IS PROHIBITED

Model Name: E22RB-FW1180-N  
 General Tol: ± 0.2  
 Approvals: \_\_\_\_\_ Date: \_\_\_\_\_  
 DWN: \_\_\_\_\_  
 CHK: \_\_\_\_\_  
 APP: \_\_\_\_\_



Drawing No.: \_\_\_\_\_ Scale: \_\_\_\_\_  
 Size: \_\_\_\_\_ Unit: mm Page: 1/1