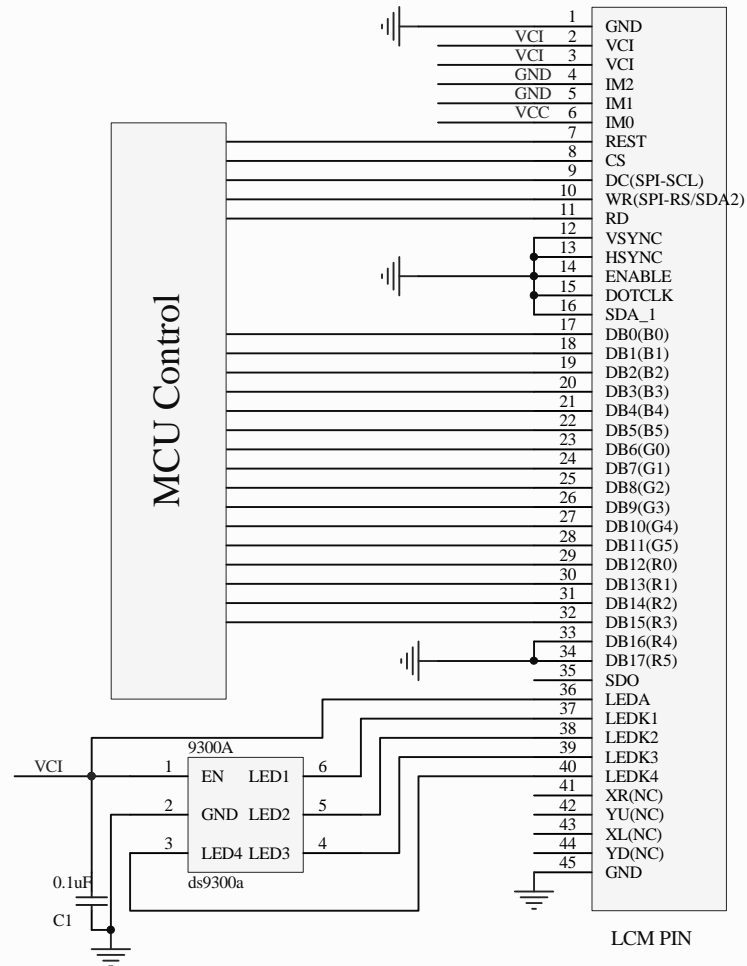


# E24RG12432LW2M300-N MCU 16BIT



NOTE:  
 1:Interface: MCU 16BIT  
 2:SDO PIN if not used place OPEN  
 3: VCC=3.3V