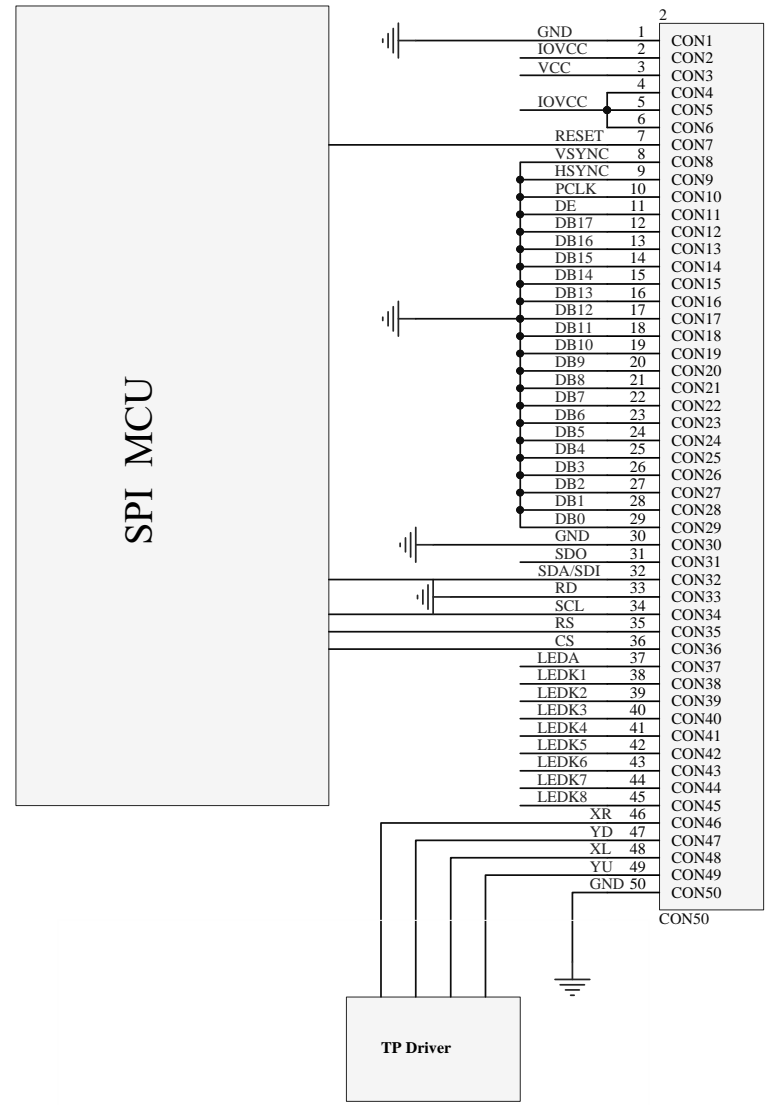


# E35RG13248LW2M450-C-4SPI



NOTE:  
VCC=3.3V, IOVCC=1.8-3.3V LEDA=3.2V ,120-160MA SDO if  
not used place open