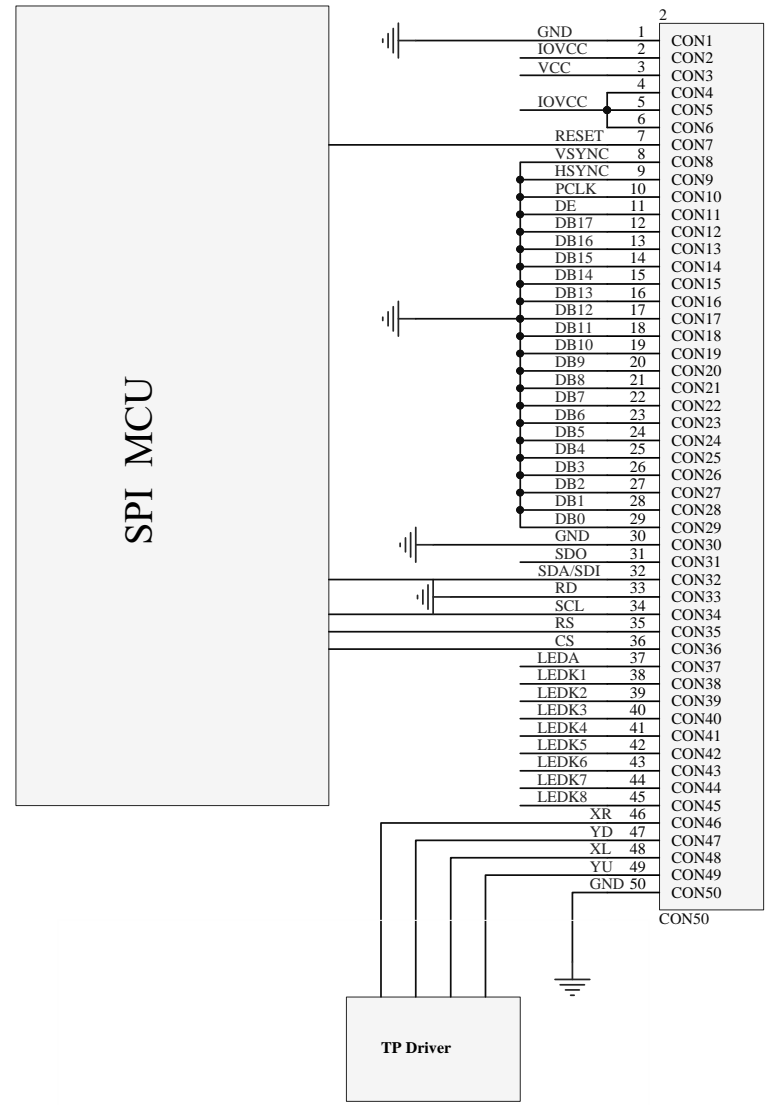


E35RG13248LW2M450-CA-4SPI



NOTE:
 VCC=3.3V, IOVCC=1.8-3.3V LEDA=3.2V ,120-160MA SDO if
 not used place open