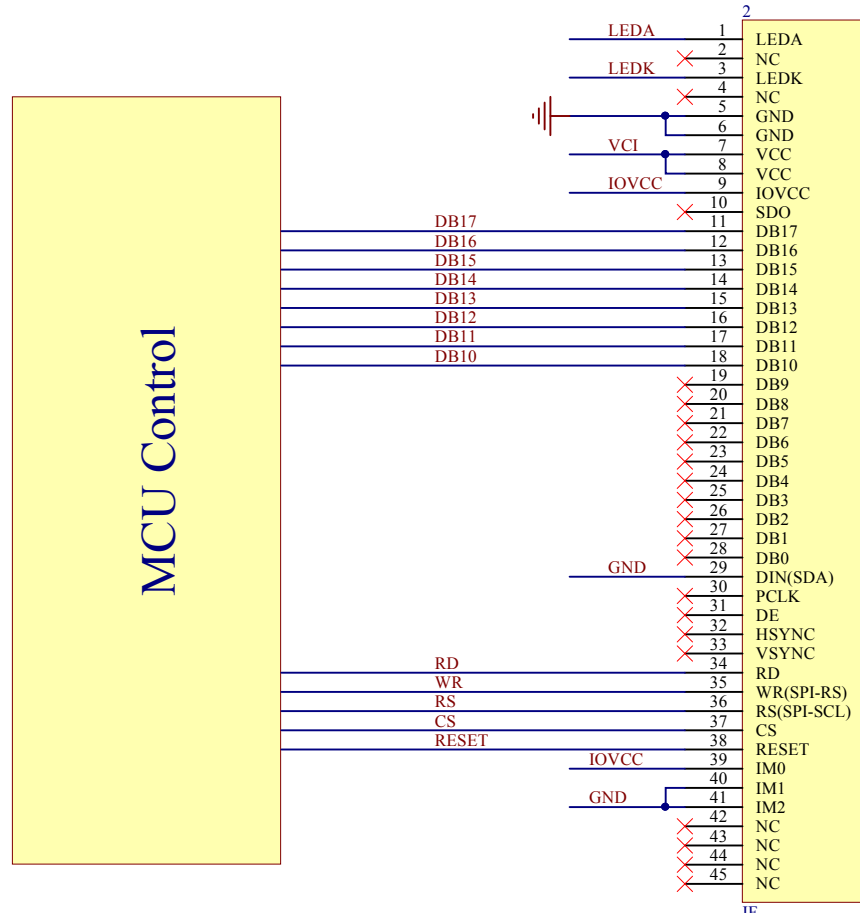


# E15RA-FW255-N

## 8BIT MCU Interface



<b>PROPRIETARY AND CONFIDENTIAL</b> THE INFORMATION CONTAINED IN THIS DRAWING IS THE SOLE PROPERTY OF FOCUS DISPLAY SOLUTIONS, INC. ANY REPRODUCTION IN PART OR AS A WHOLE WITHOUT THE WRITTEN PERMISSION OF FOCUS DISPLAY SOLUTIONS, INC. IS PROHIBITED.	Model Name: E15RA-FW255-N		<b>FOCUS LCDs</b> LCDs MADE SIMPLE®		
	GENERAL TOL: ± 0.2				DRAWING NO.:
	APPROVALS	DATE	SIZE: A4		Unit: mm
	DWN: ML				
	CHK: QCL				
APP:					