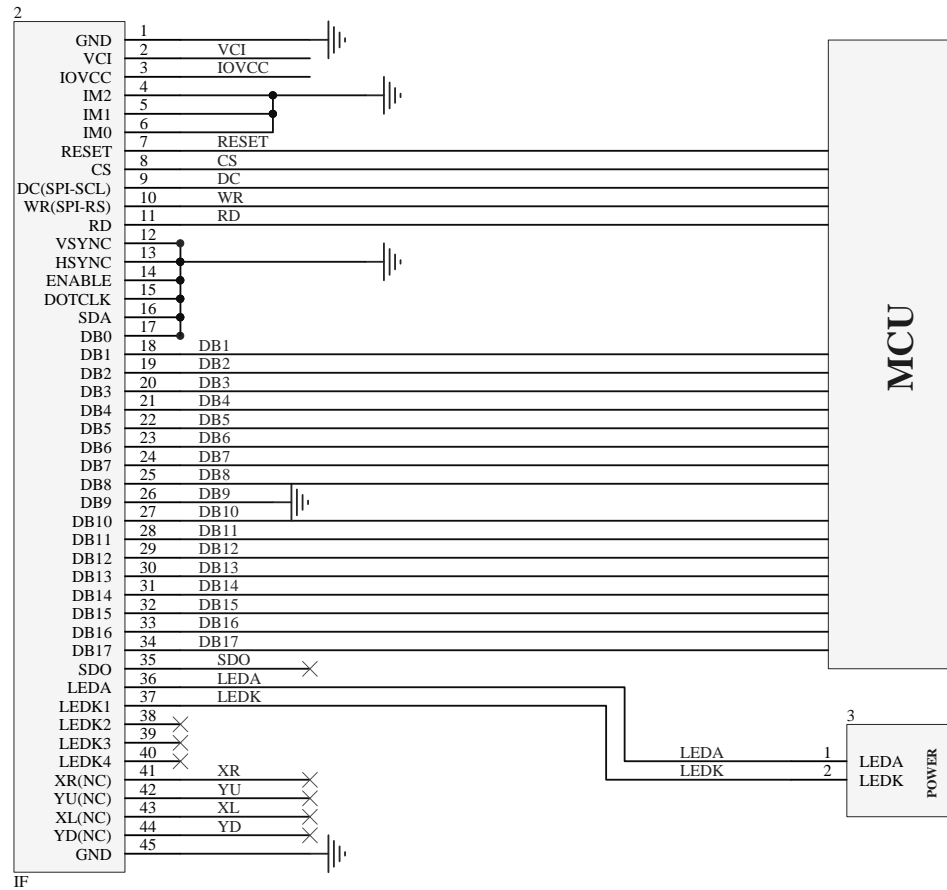



E22RB-FW1180-N 16 Bit MCU Interface



Note: 1.VCC=3.3V, IOVCC=1.8-3.3V,LEDA=19.5V,I=20mA

PROPRIETARY AND CONFIDENTIAL
 THE INFORMATION CONTAINED IN THIS DRAWING IS THE SOLE PROPERTY OF FOCUS DISPLAY SOLUTIONS, INC. ANY REPRODUCTION IN PART OR AS A WHOLE WITHOUT THE WRITTEN PERMISSIONS OF FOCUS DISPLAY SOLUTIONS, INC. IS PROHIBITED

Model Name: E22RB-FW1180-N	
General Tol:	± 0.2
Approvals	Date
DWN:	
CHK:	
APP:	

 FOCUS LCDs LCDs MADE SIMPLE®	
Drawing No.:	Scale:
Size:	Unit: mm
Page: 1/1	