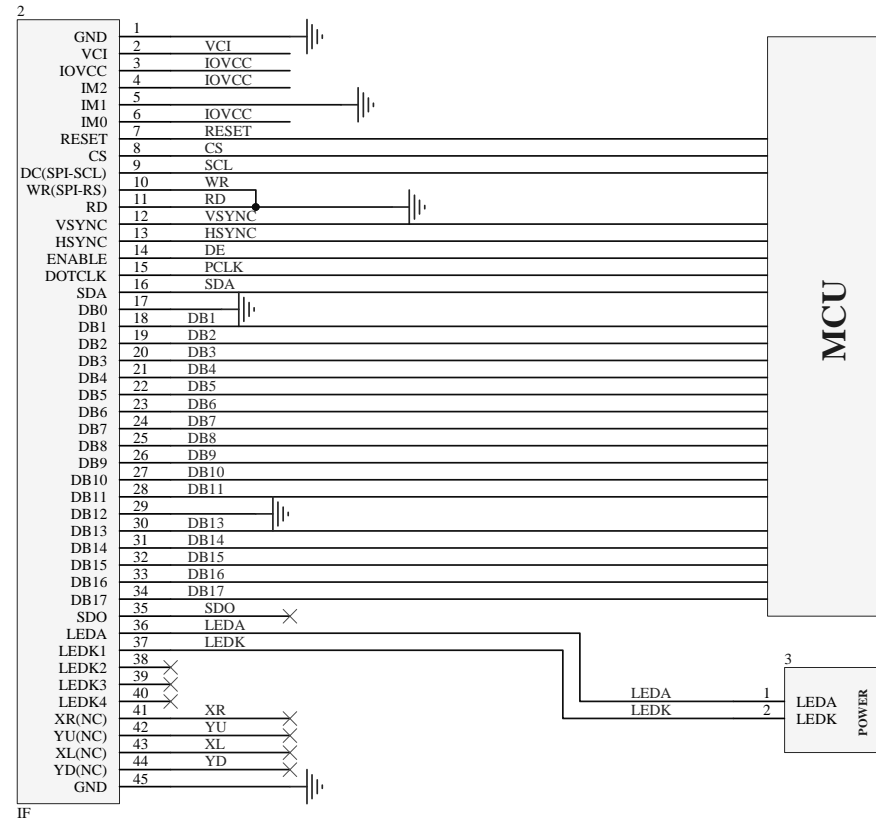


E22RB-FW1180-N 3SPI+16BIT RGB



**Note: 1.VCC=3.3V, IOVCC=1.8-3.3V,LEDA=19.5V,I=20mA**

**PROPRIETARY AND CONFIDENTIAL**  
 THE INFORMATION CONTAINED IN THIS DRAWING IS THE SOLE PROPERTY OF FOCUS DISPLAY SOLUTIONS, INC. ANY REPRODUCTION IN PART OR AS A WHOLE WITHOUT THE WRITTEN PERMISSIONS OF FOCUS DISPLAY SOLUTIONS, INC. IS PROHIBITED

Model Name: E22RB-FW1180-N

General Tol: ± 0.2

Approvals: \_\_\_\_\_ Date: \_\_\_\_\_

DWN: \_\_\_\_\_

CHK: \_\_\_\_\_

APP: \_\_\_\_\_



Drawing No.: \_\_\_\_\_ Scale: \_\_\_\_\_

Size: \_\_\_\_\_ Unit: mm Page: 1/1

