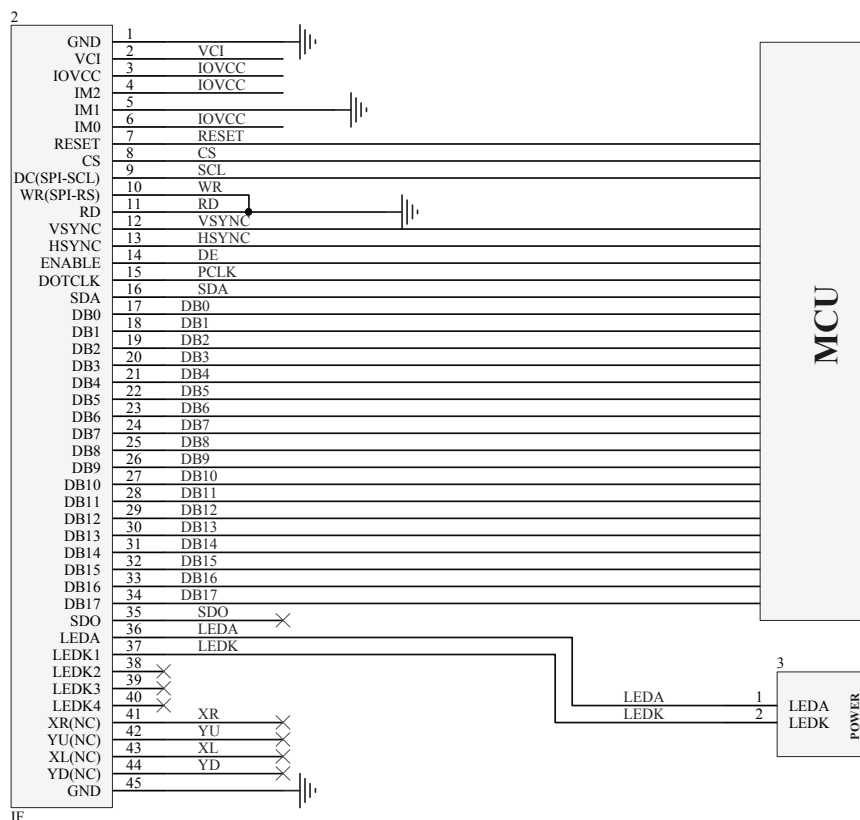


E22RB-FW1180-N 3SPI+18BIT RGB



Note: 1.VCC=3.3V, IOVCC=1.8-3.3V,LEDA=19.5V,I=20mA

PROPRIETARY AND CONFIDENTIAL THE INFORMATION CONTAINED IN THIS DRAWING IS THE SOLE PROPERTY OF FOCUS DISPLAY SOLUTIONS, INC. ANY REPRODUCTION IN PART OR AS A WHOLE WITHOUT THE WRITTEN PERMISSIONS OF FOCUS DISPLAY SOLUTIONS, INC. IS PROHIBITED.	Model Name: E22RB-FW1180-N		FOCUS LCDs LCDs MADE SIMPLE®		
	General Tol: ± 0.2				
	Approvals	Date	Drawing No.:		Scale:
	DWN:		Size:		Unit: mm
	CHK:				Page: 1/1
APP:					