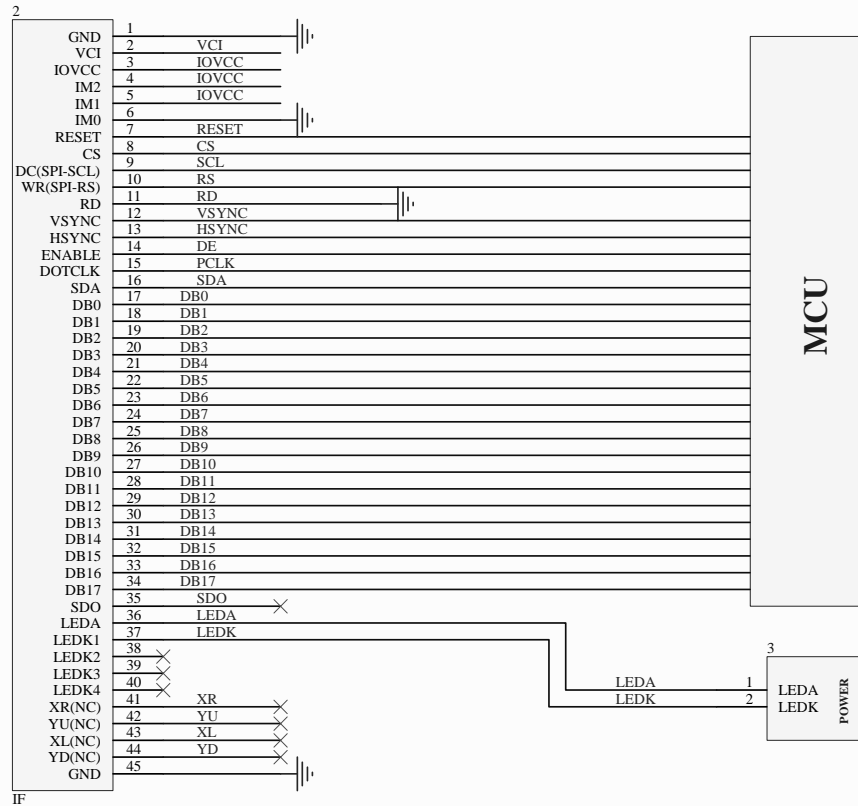


E22RB-FW1180-N 4SPI+18 BIT RGB



Note: 1.VCC=3.3V, IOVCC=1.8-3.3V,LEDA=19.5V,I=20mA

<p>PROPRIETARY AND CONFIDENTIAL</p> <p>THE INFORMATION CONTAINED IN THIS DRAWING IS THE SOLE PROPERTY OF FOCUS DISPLAY SOLUTIONS, INC. ANY REPRODUCTION IN PART OR AS A WHOLE WITHOUT THE WRITTEN PERMISSIONS OF FOCUS DISPLAY SOLUTIONS, INC. IS PROHIBITED</p>	Model Name: E22RB-FW1180-N		FOCUS LCDs LCDs MADE SIMPLE®			
	General Tol: ± 0.2				Drawing No.:	
	Approvals		Date		Scale:	
	DWN:		CHK:		Size:	
	APP:		APP:		Unit: mm Page: 1/1	