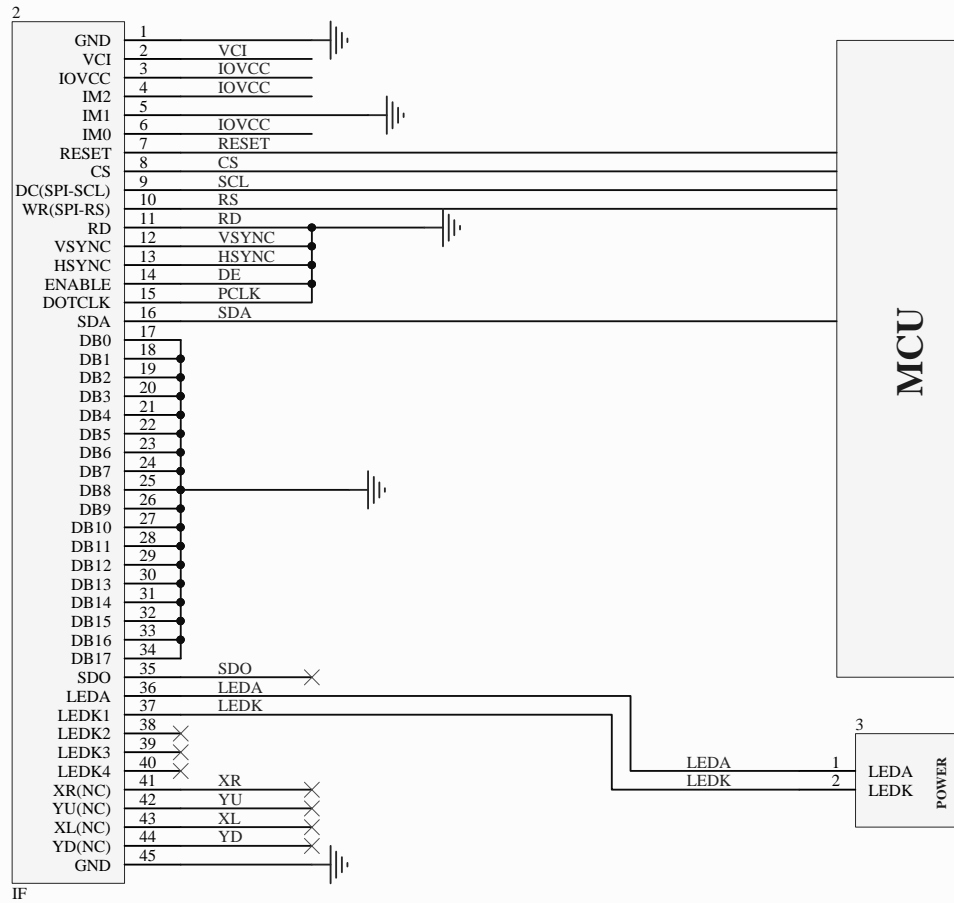


# E22RB-FW1180-N 4-Line Serial Interface



**Note: 1.VCC=3.3V, IOVCC=1.8-3.3V,LEDA=19.5V,I=20mA**

**PROPRIETARY AND CONFIDENTIAL**

THE INFORMATION CONTAINED IN THIS DRAWING IS THE SOLE PROPERTY OF FOCUS DISPLAY SOLUTIONS, INC. ANY REPRODUCTION IN PART OR AS A WHOLE WITHOUT THE WRITTEN PERMISSIONS OF FOCUS DISPLAY SOLUTIONS, INC. IS PROHIBITED

Model Name: E22RB-FW1180-N	
General Tol:	± 0.2
Approvals	Date
DWN:	
CHK:	
APP:	



Drawing No.:		Scale:	
Size:		Unit: mm	Page: 1/1