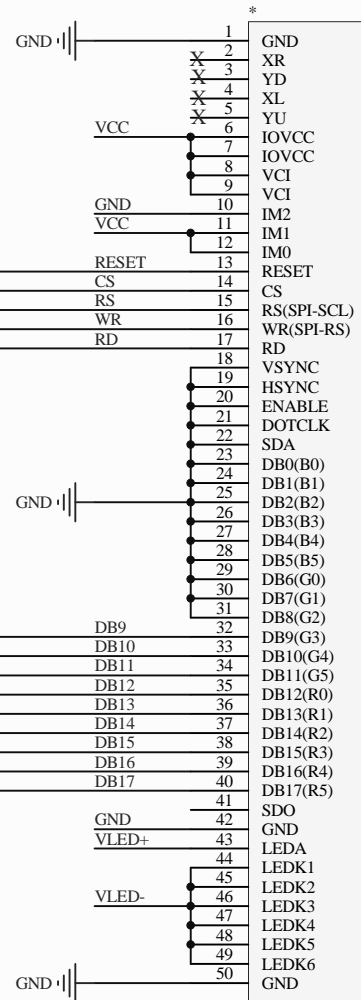
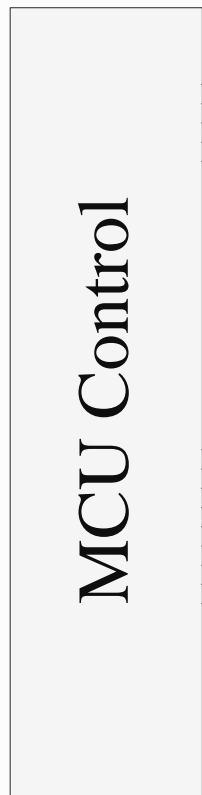


E28RA-FW480-N 9BIT MCU Interface



NOTE:

- 1.Interface: 9BIT MCU
- 2.SDO PIN if not used place OPEN
- 3.VCC=3.3V

PROPRIETARY AND CONFIDENTIAL

THE INFORMATION CONTAINED IN THIS DRAWING IS THE SOLE PROPERTY OF FOCUS DISPLAY SOLUTIONS, INC. ANY REPRODUCTION IN PART OR AS A WHOLE WITHOUT THE WRITTEN PERMISSIONS OF FOCUS DISPLAY SOLUTIONS, INC. IS PROHIBITED

Model Name: E28RA-FW480-N	
General Tol:	± 0.2
Approvals	Date
DWN:	
CHK:	
APP:	



Drawing No.:	Scale:
Size:	Unit: mm
	Page: 1/1