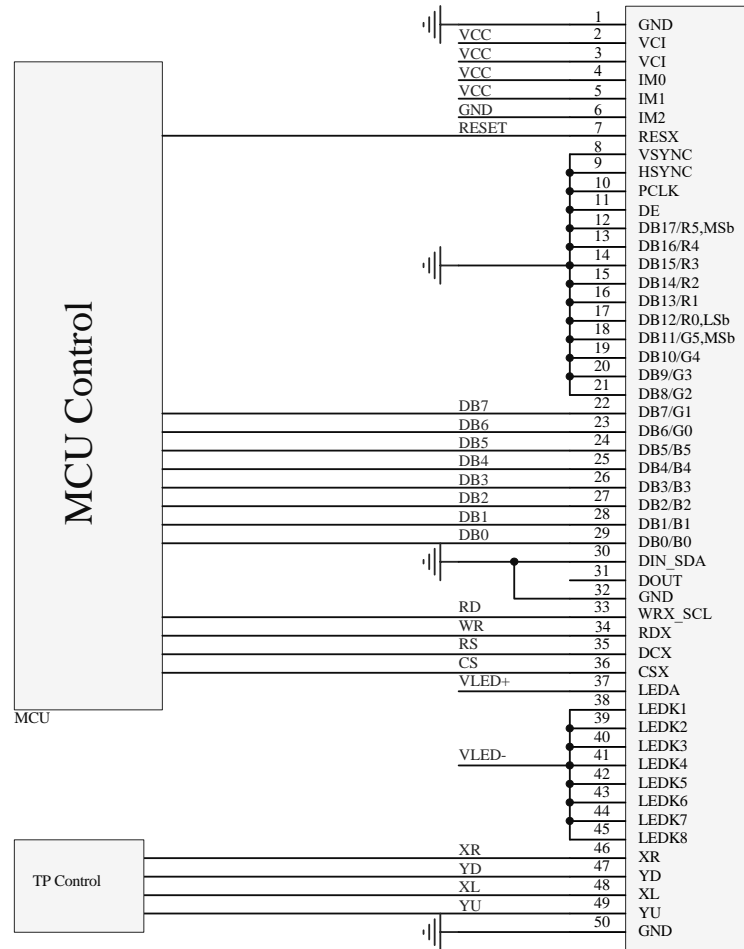


E35RG13248LW2M450-CA 8BIT MCU



NOTE:
 1.Interface: 8BIT MCU
 2.DOUT PIN if not used place OPEN
 3.VCC=3.3V