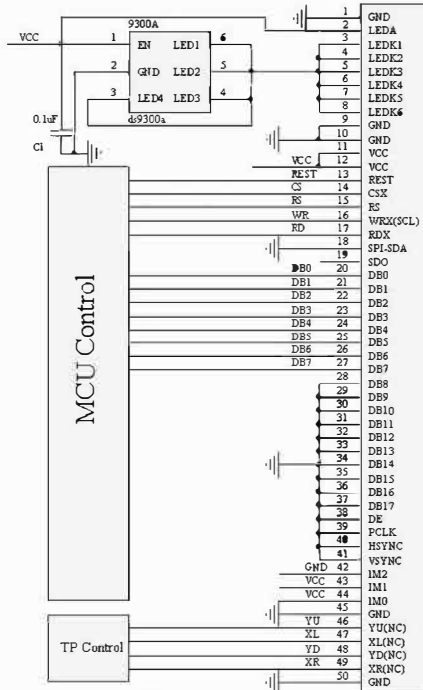


### E35RG13248LW6M250 MCU 8BIT



NOTE: 1:Interface MCU 8BIT  
 2 SDO PIN if not used place OPEN  
 3: VCC=3.3V