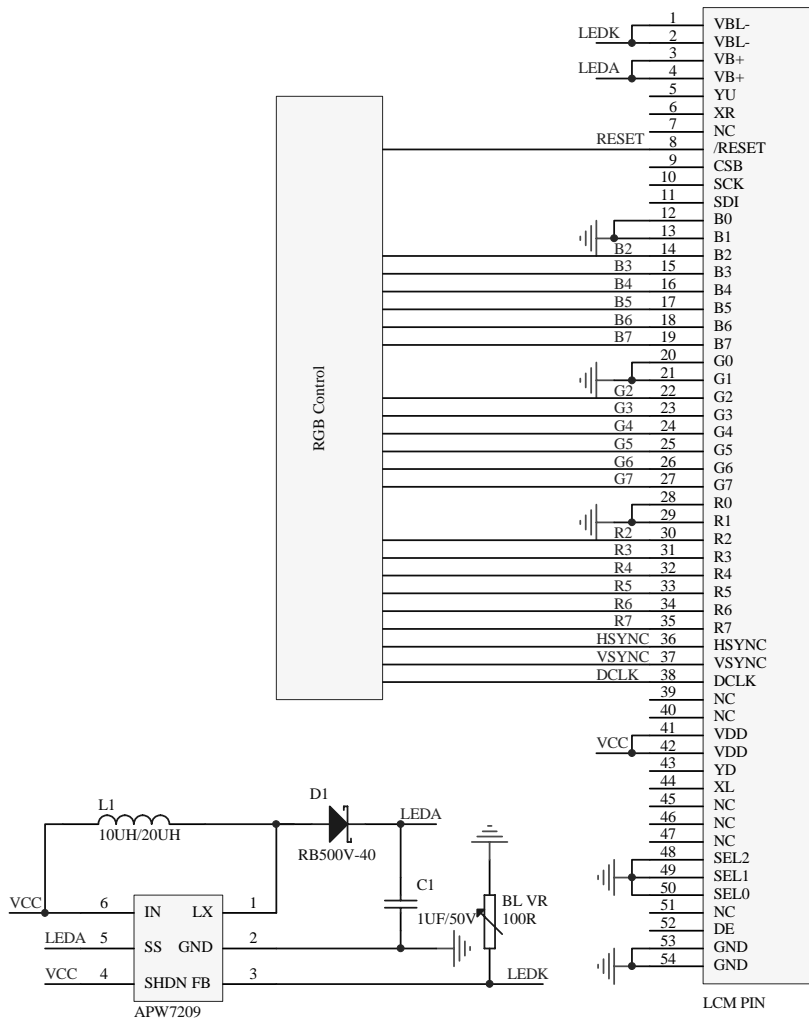


E35RG63224LW2M350-N 18BIT RGB



NOTE: 1.Interface: 18BIT RGB
 2.VCC=3.3V

