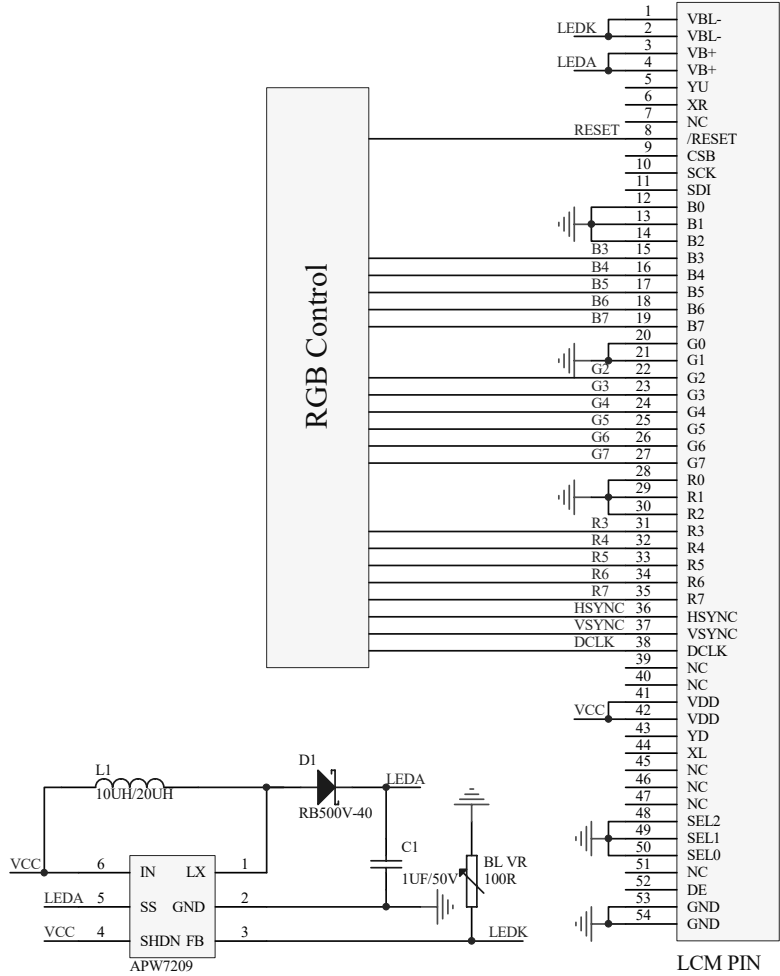


E35RG83224LW2M250-C 16 Bit RGB



NOTE: 1.Interface: 16BIT RGB

2.VCC=3.3V

PROPRIETARY AND CONFIDENTIAL
 THE INFORMATION CONTAINED IN THIS DRAWING IS THE SOLE PROPERTY OF FOCUS DISPLAY SOLUTIONS, INC. ANY REPRODUCTION IN PART OR AS A WHOLE WITHOUT THE WRITTEN PERMISSIONS OF FOCUS DISPLAY SOLUTIONS, INC. IS PROHIBITED

Model Name: E35RG83224LW2M250-C	
General Tol:	± 0.2
Approvals	Date
DWN:	
CHK:	
APP:	



Drawing No.:		Scale:	
Size:		Unit:	Page:
		mm	1/1