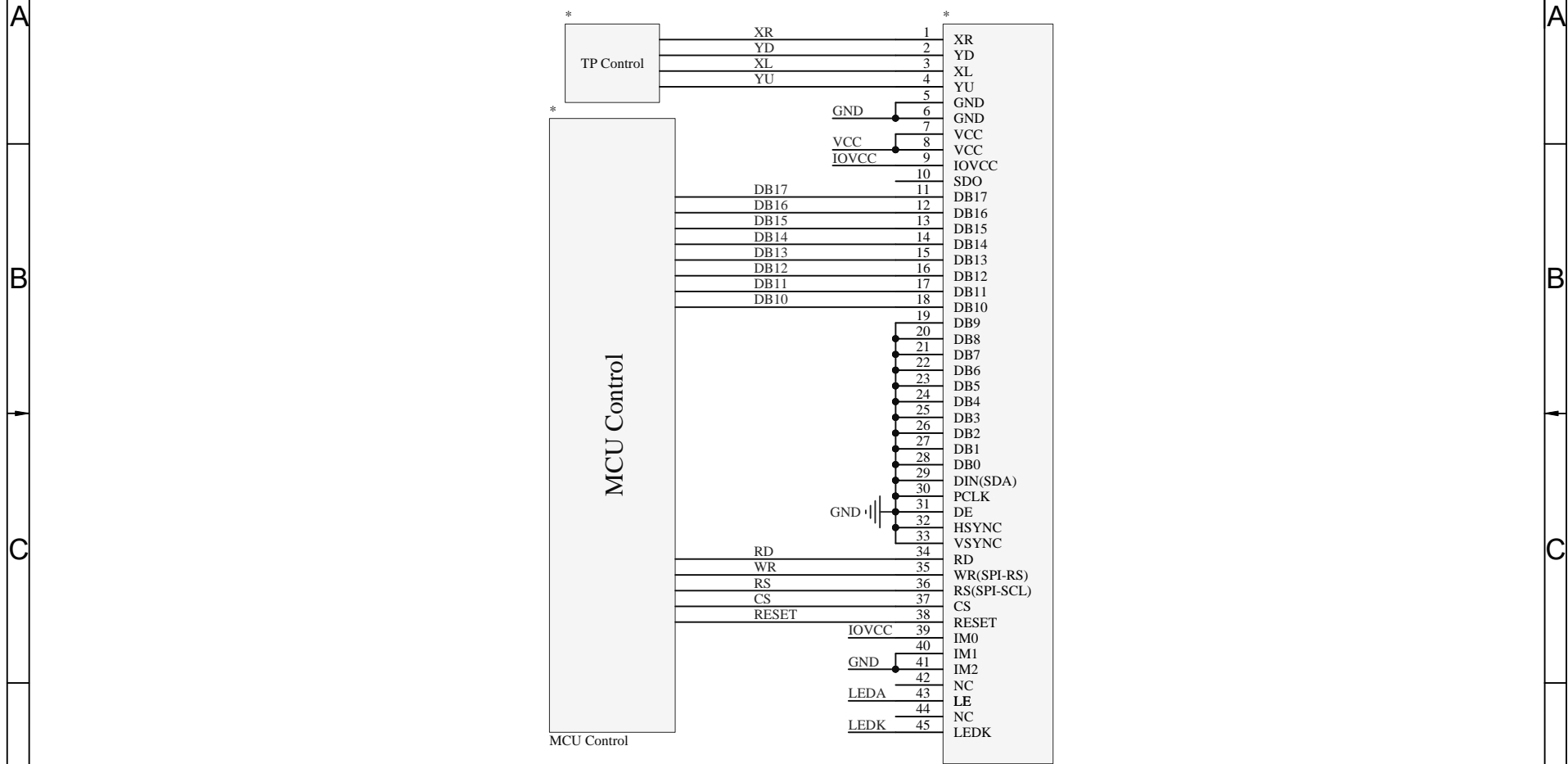


E35RK-T-XW120-CB 8 BIT MCU Interface



DISCLAIMER	PROPRIETARY AND CONFIDENTIAL
DO NOT SCALE OFF THIS DRAWING. All dimensions are given in good faith and believed to be correct. These drawings are for general presentation purposes only. No responsibility can be taken with any errors found by measuring off this drawing. The Focus LCDs PDF drawing should be referenced as the master file.	THE INFORMATION CONTAINED IN THIS DRAWING IS THE SOLE PROPERTY OF FOCUS DISPLAY SOLUTIONS, INC. ANY REPRODUCTION IN PART OR AS A WHOLE WITHOUT THE WRITTEN PERMISSIONS OF FOCUS DISPLAY SOLUTIONS, INC. IS PROHIBITED

Model Name: E35RK-T-XW120-CB	
General Tol:	±0.3
Approvals	Date
DWN:	
CHK:	
APP:	



Drawing No.:		Scale:	
Size:		Unit:	Page:
		mm	1/1