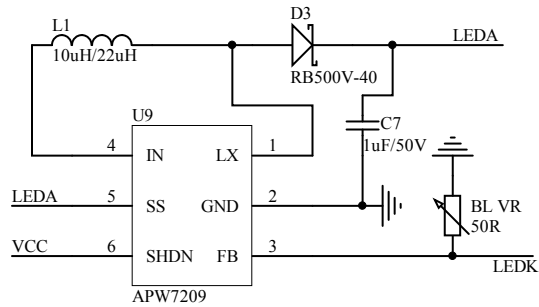
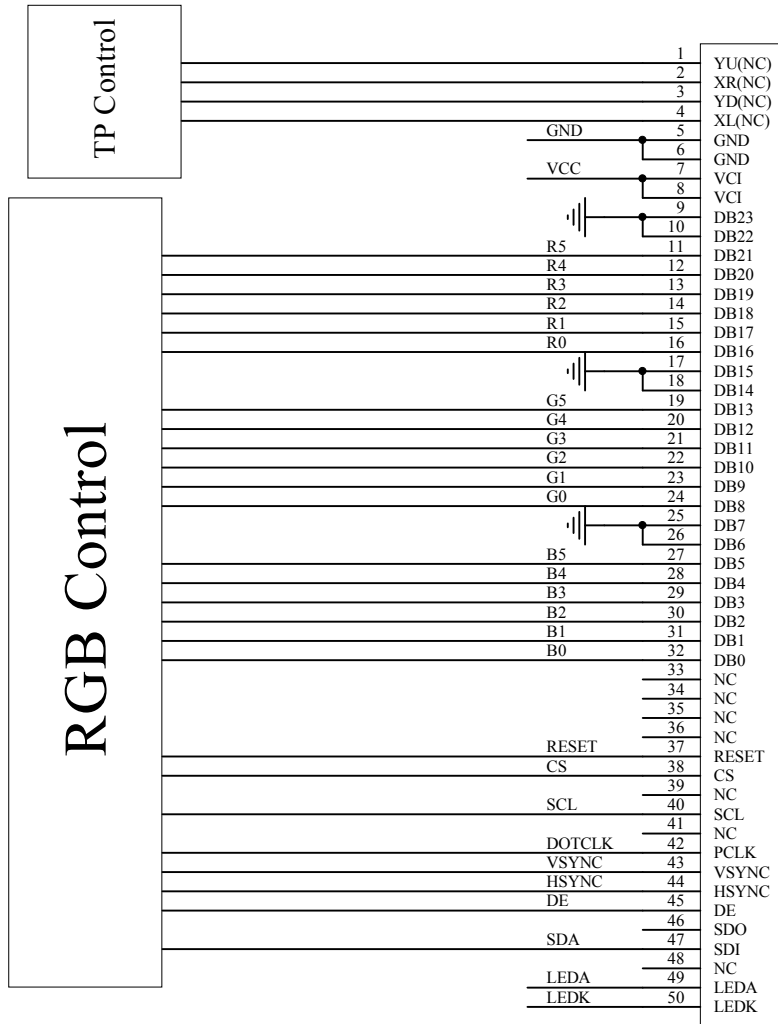


# E40RB-FW430-C

## 3SPI+18 Bit RGB INTERFACE



- NOTE:**
1. SDO PIN if not used place OPEN
  2. Interface: 3SPI+18BITRGB
  3. VCC=3.3V



**PROPRIETARY AND CONFIDENTIAL**

THE INFORMATION CONTAINED IN THIS DRAWING IS THE SOLE PROPERTY OF FOCUS DISPLAY SOLUTIONS, INC. ANY REPRODUCTION IN PART OR AS A WHOLE WITHOUT THE WRITTEN PERMISSIONS OF FOCUS DISPLAY SOLUTIONS, INC. IS PROHIBITED

Model Name: E40RB-FW430-C	
General Tol:	± 0.2
Approvals	Date
DWN:	
CHK:	
APP:	

**FOCUS LCDs**  
LCDs MADE SIMPLE®

Drawing No.:		Scale:	
Size:		Unit: mm	Page: 1/1