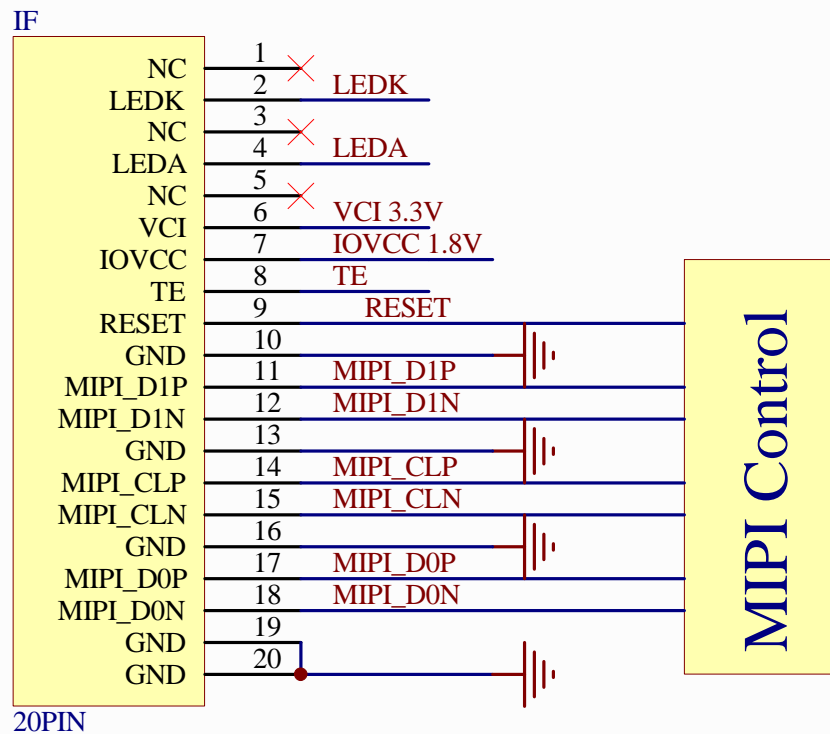


E40RC-FS1000-C 2 Lane MIPI Interface



PROPRIETARY AND CONFIDENTIAL
 THE INFORMATION CONTAINED IN THIS DRAWING IS THE SOLE PROPERTY OF FOCUS DISPLAY SOLUTIONS, INC. ANY REPRODUCTION IN PART OR AS A WHOLE WITHOUT THE WRITTEN PERMISSIONS OF FOCUS DISPLAY SOLUTIONS, INC. IS PROHIBITED

Model Name: E40RC-FS1000-C
 General Tol: ± 0.2
 Approvals: _____ Date: _____
 DWN: _____
 CHK: _____
 APP: _____



Drawing No.: _____ Scale: _____
 Size: _____ Unit: mm Page: 1/1