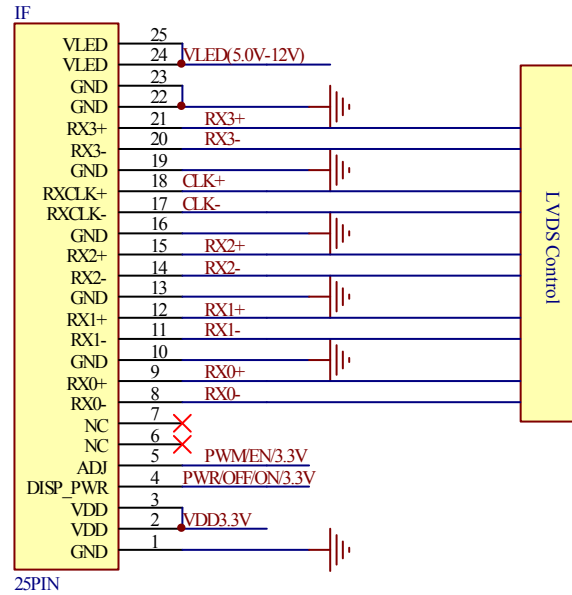


E40RD-FS1000-N

4 LANE LVDS



DISP_PWR:

Display power control PIN.

H: Power ON.

L: Power OFF.

Internal pull down resistor

100K.

ADJ:

BL enable and dimming input
PIN


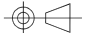
1.ADJ=1,BL ON; ADJ=0,BL
OFF.

2.PWM and digital
dimming input.

Internal pull down resistor 100K.

PROPRIETARY AND CONFIDENTIAL

THE INFORMATION CONTAINED IN THIS DRAWING IS THE SOLE PROPERTY OF FOCUS DISPLAY SOLUTIONS, INC. ANY REPRODUCTION IN PART OR AS A WHOLE WITHOUT THE WRITTEN PERMISSIONS OF FOCUS DISPLAY SOLUTIONS, INC. IS PROHIBITED

Model Name: E40RD-FS1000-N		 FOCUS LCDs LCDs MADE SIMPLE®		
General Tol:	± 0.2			
Approvals	Date	Drawing No.:	Scale:	
DWN:				
CHK:		Size:	 Unit: mm	Page: 1/1
APP:				