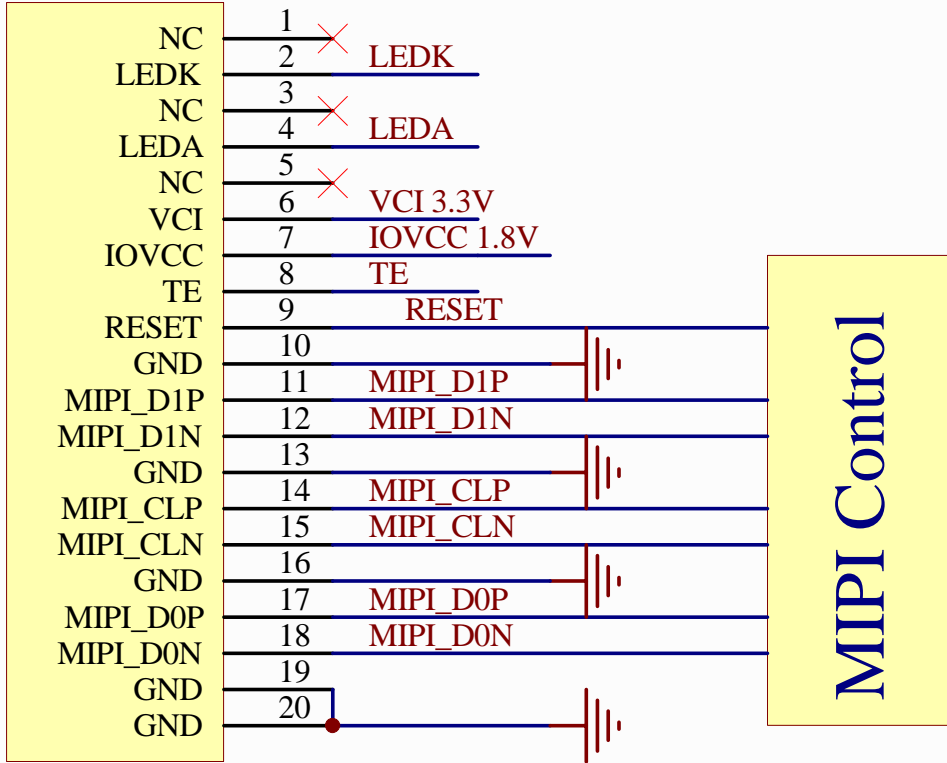


# E43GB-I-MW800-CB

## 2 Lane MIPI Interface

IF



20PIN

MIPI Control

**PROPRIETARY AND CONFIDENTIAL**  
 THE INFORMATION CONTAINED IN THIS DRAWING IS THE SOLE PROPERTY OF FOCUS DISPLAY SOLUTIONS, INC. ANY REPRODUCTION IN PART OR AS A WHOLE WITHOUT THE WRITTEN PERMISSIONS OF FOCUS DISPLAY SOLUTIONS, INC. IS PROHIBITED

Model Name: E43GB-I-MW800-CB	
General Tol:	± 0.3
Approvals	Date
DWN:	
CHK:	
APP:	



Drawing No.:		Scale:	
Size:		Unit: mm	Page: 1/1