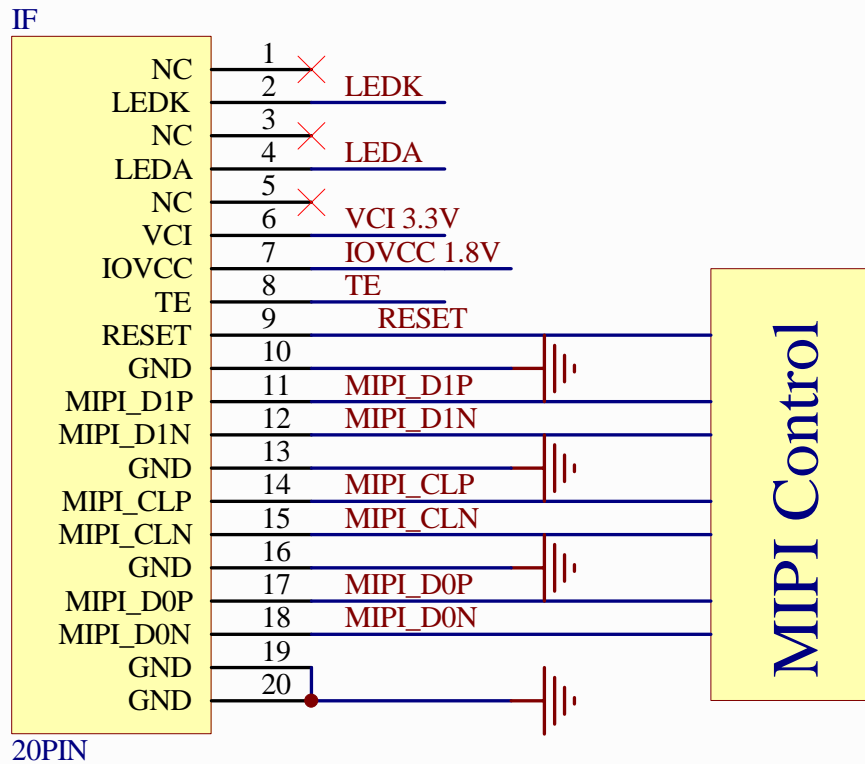


E45RA-MW307-N 2 Lane MIPI Interface



PROPRIETARY AND CONFIDENTIAL

THE INFORMATION CONTAINED IN THIS DRAWING IS THE SOLE PROPERTY OF FOCUS DISPLAY SOLUTIONS, INC. ANY REPRODUCTION IN PART OR AS A WHOLE WITHOUT THE WRITTEN PERMISSIONS OF FOCUS DISPLAY SOLUTIONS, INC. IS PROHIBITED

Model Name: E45RA-MW307-N	
General Tol:	± 0.2
Approvals	Date
DWN:	
CHK:	
APP:	

FOCUS LCDs
LCDs MADE SIMPLE®

Drawing No.:	Scale:
Size:	Unit: mm
Page: 1/1	